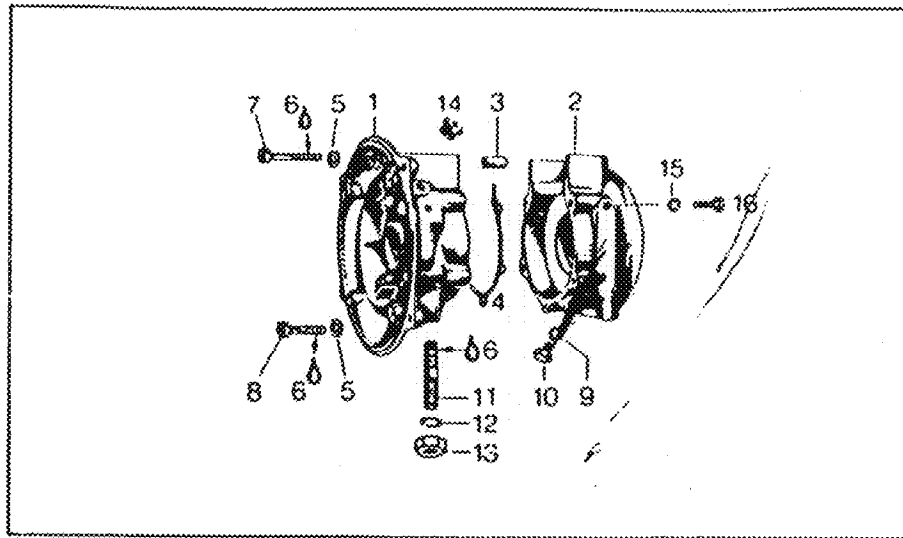


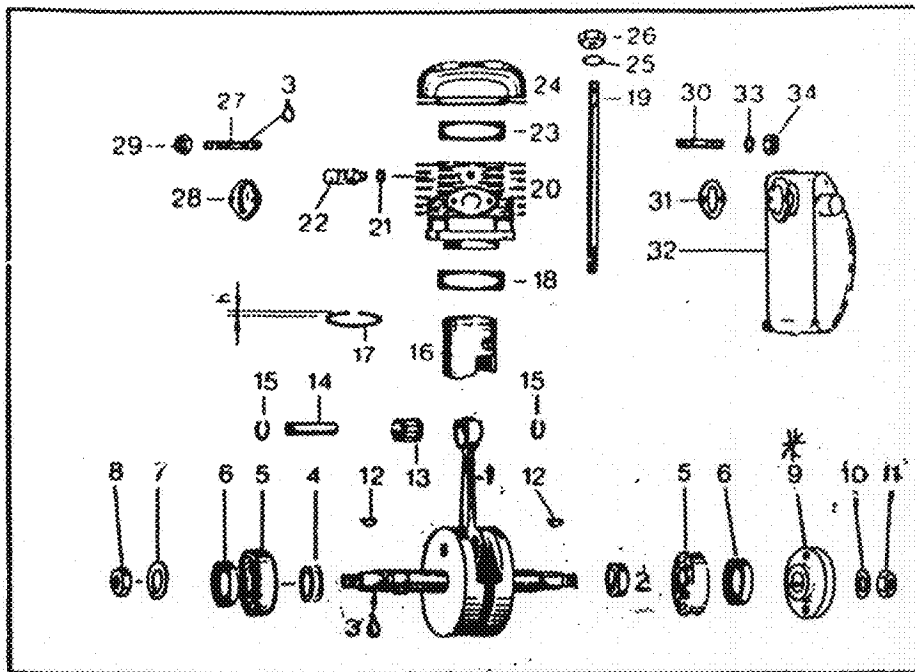
UPDATED  
NOV. '98

Crankcase



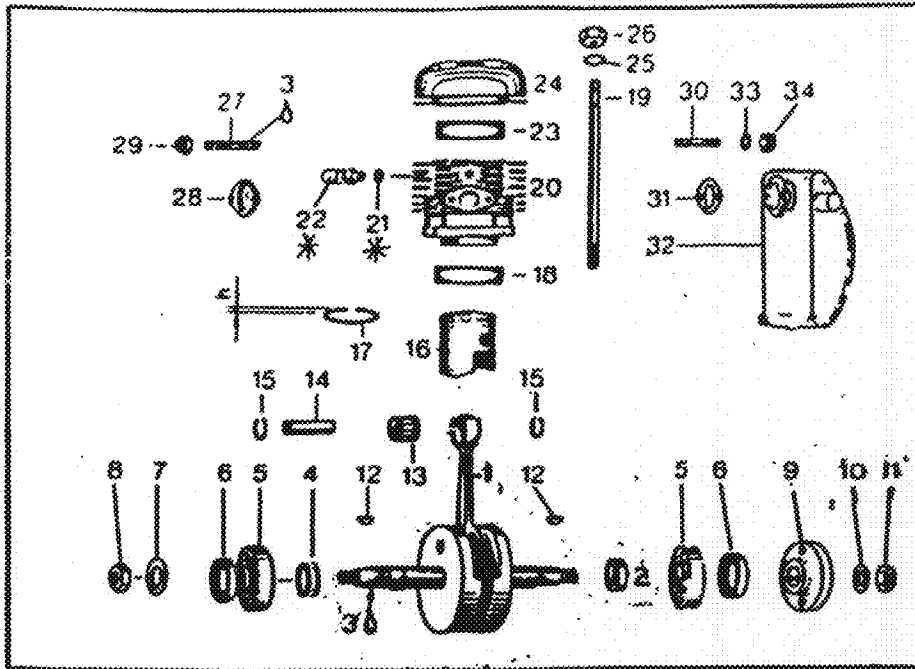
Ill. No.	Part No.	Description	Qty.
1,2,3,	984 321	crankcase assy. . . . .	1
3	249 760	dowel tube 8,4 Ø x 14 . . . . .	2
4	930 880	gasket, crankcase . . . . .	1
5	945 751	lock washer 5 . . . . .	5
6	899 786	means of securing LOCTITE blue, 6 c.c. . . . .	as requ.
7	940 380	cyl. screw M6 x 50 . . . . .	2
8	941 660	cyl. screw M5 x 42 . . . . .	3
9	950 141	sealing ring . . . . .	1
10	940 251	oil drain screw M8 x 9 . . . . .	1
11	940 840	stud M10 x 21, engine base . . . . .	4
12	945 753	lock washer 10, engine base . . . . .	4
13	242 09	hex. nut M10, engine base . . . . .	4
14	960 290	rubber grommet, ignition cable . . . . .	1
15	945 751	lock washer 6 . . . . .	1
16	241 186	hex. screw M6 x 16 . . . . .	1

Crankshaft, Piston, Cylinder



Ill. No.	Part No.	Description	Qty.
1	983 694	crankshaft assy. . . . .	1
2	947 685	distance sleeve 20,2/28/9 . . . . .	1
3	899 786	means of securing LOCTITE blue, 6 c.c. . . . .	as requ.
4	944 460	shim 0,2 mm . . . . .	as requ.
	944 461	shim 0,3 mm . . . . .	as requ.
	944 462	shim 0,5 mm . . . . .	as requ.
	944 463	shim 0,4 mm . . . . .	as requ.
	944 464	shim 0,8 mm . . . . .	as requ.
	944 465	shim 0,15 mm . . . . .	as requ.
	944 466	shim 1,0 mm . . . . .	as requ.
5	932 091	ball bearing 6304 . . . . .	2
6	930 390	oil seal . . . . .	2
7	945 754	lock washer 12, magneto side . . . . .	1
8	942 522	hex. nut M12 x 1, magneto side . . . . .	1
* 9	536 875	propeller hub <i>NOT AVAILABLE FROM ROTAX</i> . . . . .	1
10	945 755	lock washer 12, p.t.o. side . . . . .	1
11	942 200	hex. nut M12 x 1,5 p.t.o. side . . . . .	1
12	246 011	Woodruff key 3 x 5 . . . . .	2
13	932 904	needle cage . . . . .	1
14	916 135	gudgeon pin . . . . .	1
15	945 735	circlip, gudgeon pin . . . . .	2

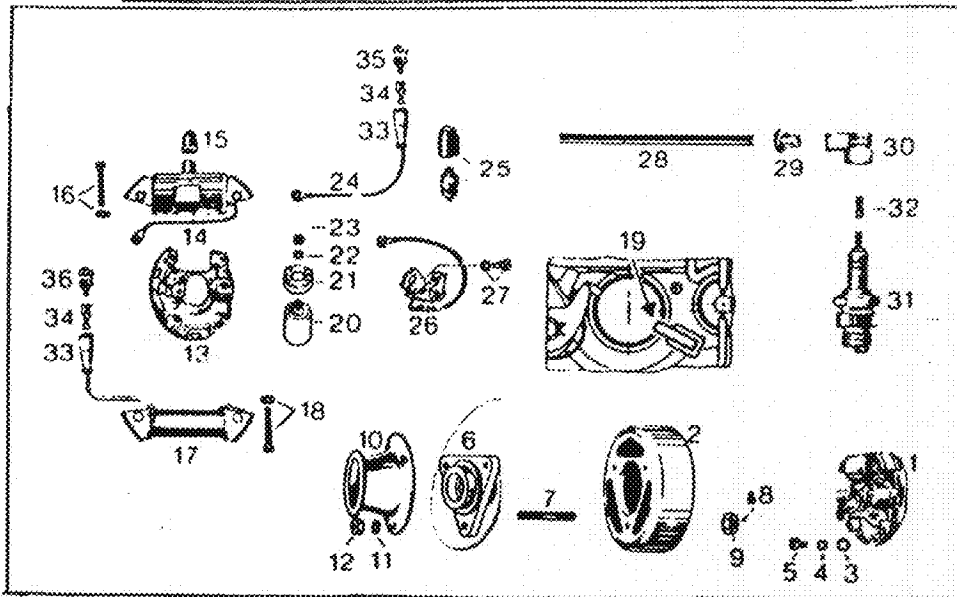
Crankshaft, Piston, Cylinder



16,17,	994 045	piston assy. w. rings 62,0 Ø, standard . . . . .	1
	994 046	piston assy. w. rings 62,5 Ø, 1st oversize . . . . .	1
17	915 240	rectangular ring 62,0 Ø, standard . . . . .	2
17	915 241	rectangular ring 62,5 Ø, 1st oversize . . . . .	2
18	230 068	gasket, cylinder flange . . . . .	1
19	941 380	stud M8, cylinder . . . . .	4
20	913 757	cylinder assy. . . . .	1
* 21	850 270	sealing ring . . . . .	1
* 22	931 040	decompressor assy. . . . .	1
23	930 045	gasket, cylinder head . . . . .	1
24	913 675	cylinder head w/ 999 971 SPARK PLUG . . . . .	1
25	250 311	washer 8,4 . . . . .	4
26	242 206	hex. nut M8 . . . . .	4
27	240 570	stud M6 x 21,5 . . . . .	2
28	930 915	isolating flange . . . . .	1
29	942 040	lock nut M6 . . . . .	2
30	940 170	stud M8 x 19,5 . . . . .	2
31	950 261	gasket, muffler . . . . .	1
32	978 990	muffler . . . . .	1
33	945 752	lock washer 8 . . . . .	2
34	242 206	hex. nut M8 . . . . .	2

*NOT AVAILABLE FROM ROTAX*

Magneto Generator, Fan, Starting Pulley

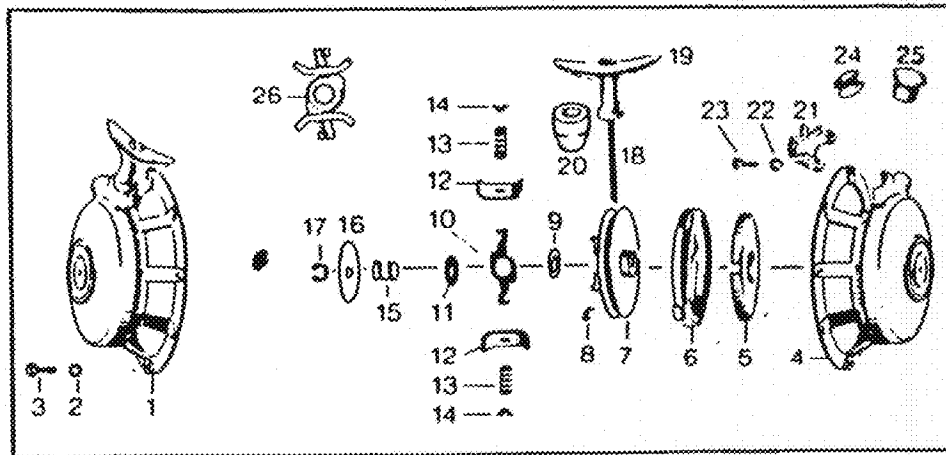


Ill. No.	Part No.	Description	Qty.
1,2,	993 657	magneto generator 6V 17W . . . . .	1
1	998 587	armature plate assy. . . . .	1
2	993 852	magneto ring . . . . .	1
3	244 072	washer 4,3 . . . . .	3
4	945 758	lock washer 4 . . . . .	3
5	241 285	cyl. screw M4 x 12 . . . . .	3
6	866 730	magneto hub . . . . .	1
7	940 655	stud M6 x 15 . . . . .	3
8	899 786	means of securing LOCTITE blue, 6 c.c. . . . .	as requ.
9	242 210	hex. nut M6 . . . . .	3
10	952 965	starting pulley . . . . .	1
11	945 751	lock washer 6 . . . . .	3
12	242 210	hex. nut M6 . . . . .	3
13	964 655	armature plate alone . . . . .	1
14	264 335	ignition coil . . . . .	1
15	960 360	protection cap . . . . .	1
16	241 355	combined screw M4 x 21 . . . . .	2
17	264 297	lighting coil assy. . . . .	1
18	941 285	combined screw M4 x 23 . . . . .	2
19	265 815	lubricating wick . . . . .	1
20 - 23	964 217	condenser set . . . . .	1
20	265 525	condenser <i>USE 964 217</i> . . . . .	1
21	860 130	condenser cap . . . . .	1
22	245 090	lock washer 3 . . . . .	1
23	942 171	hex. nut M3 . . . . .	1

Ill. No.	Part No.	Description	Qty.
24	964 275	shorting cable . . . . .	1
25	990 765	shorting button assy. . . . .	1
26	983 343	contact breaker set . . . . .	1
27	241 215	combined screw M4 x 10 . . . . .	1
28	964 640	ignition cable 365 mm (265 749 - BY METER)	1
29	960 480	reduction sleeve . . . . .	1
30	865 200	spark plug protector . . . . .	1
31, 32, *	999 881	spark plug M240 T1 . . . . .	1
32	842 260	nut M4 . . . . .	1
33	960 710	protection sleeve . . . . .	2
34	864 550	Faston connector . . . . .	2
35	866 740	banana plug, black, shorting connection	1
36	866 745	banana plug, red, lighting connection .	1

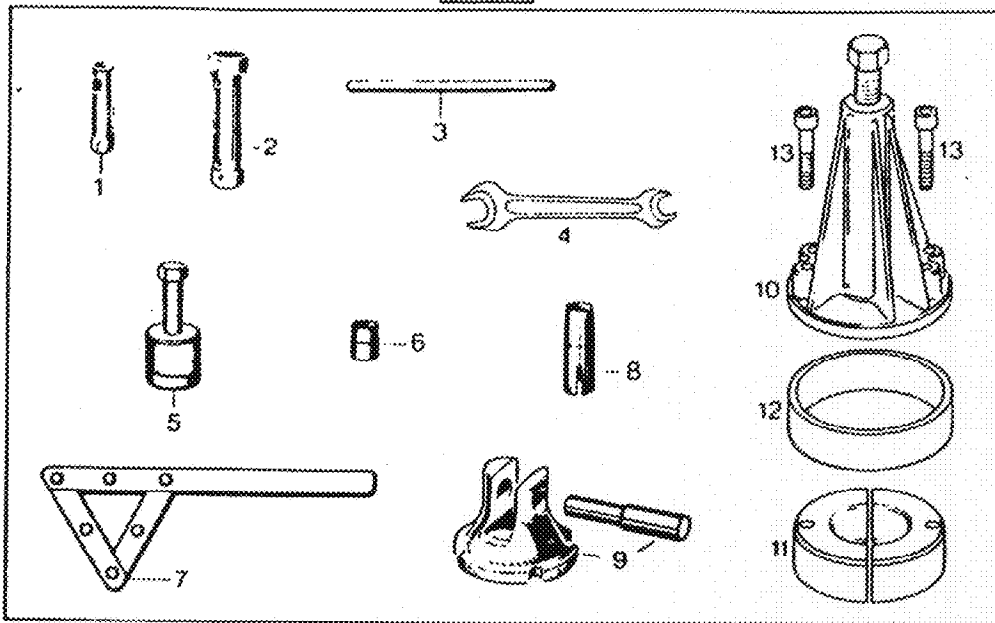
\* WITH 913 675 CYLINDER HEAD, USE 999 371 SPARK PLUG.

Rewind Starter



Ill. No.	Part No.	Description	Qty.
1	997 411	rewind starter assy. . . . .	1
4,5,	983 810	starter housing w. spring guide . . . . .	1
5	927 695	spring guide . . . . .	1
6	938 001	rewind spring . . . . .	1
7	997 140	rope sheave assy. . . . .	1
8	929 350	bolt 5 Ø x 6 . . . . .	1
9	927 305	D-washer . . . . .	1
10	952 835	pivot arm . . . . .	1
11	927 650	friction washer . . . . .	1
12	952 846	pawl . . . . .	2
13	938 010	pawl spring . . . . .	2
14	952 820	pawl spring stop . . . . .	2
15	938 020	friction spring . . . . .	1
16	927 310	cover washer . . . . .	1
17	945 710	circlip . . . . .	1
18,19	997 366	starter rope w. grip assy. . . . .	1
18	852 092	starter rope 1100 mm . . . . .	1
19	952 805	starter grip . . . . .	1
20	960 415	rubber buffer . . . . .	1
21	910 625	cover . . . . .	1
22	945 750	lock washer 5 . . . . .	2
23	240 761	cyl. screw M5 x 16 . . . . .	2
24	952 940	rope guide . . . . .	1
25	960 270	plug . . . . .	1
26	881 270	parts set for rewind starter . . . . .	1

Tools



Ill. No.	Part No.	Description	Qty.
1 - 4	977 507	standard tool kit . . . . .	1
1	277 325	socket wrench 13 mm . . . . .	1
2	976 011	socket wrench 26 mm . . . . .	1
3	977 420	bolt 8 Ø x 130 . . . . .	1
4	276 065	fork wrench 10/13 mm . . . . .	1
5	976 235	puller assy., flywheel . . . . .	1
6	676 120	protection cap, bore 12 mm . . . . .	1
7	976 551	wrench to hold fan . . . . .	1
8	977 820	sleeve for oil seal . . . . .	1
9	977 738	holder w. bolt, connecting rod . . . . .	1
10	876 296	puller assy. for bearings on crankshaft . . . . .	1
11	876 330	ring half for ball bearings on crankshaft . . . . .	2
12	977 480	outer ring for puller . . . . .	1
13	840 680	cyl. screw M8 x 40 . . . . .	2